



N. 02 // 20



CE

ROTAIR®

SPECIAL



FIBRE»OPTIC PROGRAM

VRK

FIBRA»FIBRA PLUS

SPECIAL
FIBRE
»»OPTIC



CONCEIVED FOR
FIBRE-OPTIC
CABLE LAYING



With
INTEGRATED COOLING
and **DRYING SYSTEMS**



VRK FIBRA

VRK FIBRA PLUS

specifically designed to meet the needs of fibre optic cable blowing professionals

FROM MOTORWAYS TO DIGITAL HIGHWAYS, **COMPRESSED AIR** HAS ALWAYS PLAYED A LEADING ROLE IN BUILDING THE NEXT FUTURE

ROTAIR, since 1961, designed and manufactured world-class compressors for all requirements of compressed air. The right machine for each specific need of high quality compressed air.

HIGH QUALITY COMPRESSED AIR



COMPACT DESIGN, EXTREMELY MANEUVERABLE AND EASY ACCESS FOR MAINTENANCE. ALL FILTERS READILY ACCESSIBLE.

- › All moving parts are inaccessible, according to the most stringent safety norms
- › Cooling ventilator shielded & inaccessible
- › Muffler under the machine, less noise and avoids risks of accidental burns
- › Cooling fan on engine axle
- › Easy access for maintenance
- › Easy to lift & transport
- › Lifting eye for crane
- › Solid-type wheels



FOR FIBRE OPTIC CABLE BLOWING

VRK

FIBRA⁺
FIBRA PLUS

INTEGRATED COOLING AND DRYING SYSTEM

**ONE SINGLE, COMPACT,
EASY TO TRANSPORT
AND MANEUVERABLE MACHINE,
IMMEDIATELY READY TO WORK.**

- › Double-stage air/oil separation
- › Lowest oil in air for this category:
1-3 PPM!
- › Air cooling and drying integrated
in the unit
- › System for proportional acceleration
at air demand:
 - Less noise and consumption
 - Power all declined to air flow
- › Easy handling & maintenance
- › Petrol tank in sight & extractable
for practical refuelling
- › All filters are spin-on /
bayonet-type, for faster change



- › Intuitive starter
- › Integrated hours counter
- › Manometer
- › Thermostat with safety arrest @ high
temperatures
- › Start/Stop @ low pressures:
 - Automatically activated when starting
the machine
 - Brings machine to 2 bar
 - Prevents separator filter to collapse due
to the difference of pressure
 - Longer life of machine and components
 - Avoids oil in line
 - Better start in cold temperatures.



250 kg
551 lbs

Oversized single cooler for extra cooling of air.

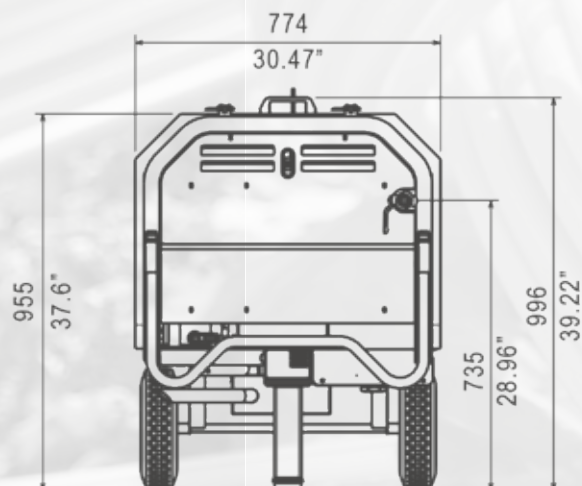
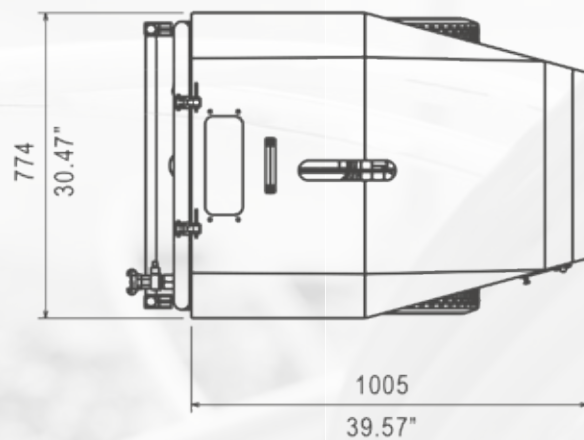
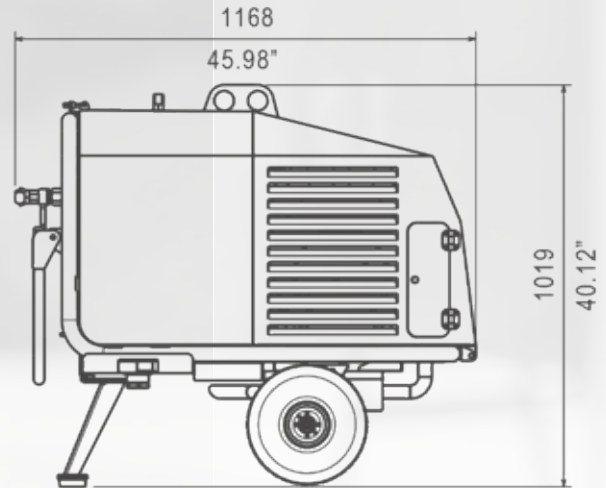
Condensates separator.

Compressed air temperature:

Ambient +20°C // Ambient +36°F

INTEGRATED COOLING and DRYING SYSTEMS

- › High performance asymmetric-profile airend with safety thermostatic arrest in case of overheat.
- › High efficiency trapezoidal belt-drive, over-dimensioned to ensure transmission with less maintenance.
- › Pneumatic control system, ROTAIR production, to automatically adjust engine revs, depending on the air to be delivered. This system is highly reliable and ensures fuel consumption savings.
- › Automatic depressurization at the end of the work cycle.
- › Separator tank with double air/oil separation-internal filter and external spin-on: oil carry-over ≤ 1 PPM.
- › Air/oil separator filter, highly oversized, to guarantee an excellent air/oil separation.
- › Compressor air filter and engine air filter are separated.
- › Single stage oversized air filter for compression circuit, to guarantee good filtering of the air intaken by airend.
- › Cooler dimensioned to ensure optimal compressor oil cooling in high ambient temperatures (max 45°C)





powerful › compact

PORTABLE COMPRESSORS FIBRA

QUALITY
COMPRESSED AIR
FOR FIBRE OPTIC
CABLE BLOWING

The machine conforms to the most stringent norms – CE Directive, EN safety and compatibility norms – and its design and manufacturing are conform to ROTAIR Quality System in the framework of **ROTAIR Total Quality Management**.

Machine is supplied with:

- Manual of use and maintenance, including diagrams and electric schemes
- Spare parts manual



THE RESPECT OF ORDINARY MAINTENANCE INTERVALS AND THE USE OF GENUINE SPARE PARTS ENSURE CONSTANT AND OPTIMAL PERFORMANCES AND A RELIABLE DURABILITY THROUGH TIME.

COMPRESSOR

Max operating pressure		15 bar - 218 psi
Free Air Delivery		1000 l/min - 35 cfm
Minimum working pressure		5,5 bar - 80 psi
Drive system engine-arend		Belt-drive XPZ oversized
Compressor cooling system		Air / Oil
Oil cooling capacity		5 lt - 1.33 UK gal
Outlet valves		1 x 3/4"
Noise level EECno 2000/14		≤ 97 LWA
Battery capacity		12V cc - 330A-45Ah (EN)
Fuel tank capacity		15 lt - 3,3 UK gal
Consumes (average engine man.data)		6,7 lt/h - 1,47 UK gal/h

PETROL ENGINE

Engine make		HONDA
Engine type		GX690
Engine system		4 strokes
Displacement		690 cc
N. cylinders		2
Aspiration		Natural
Max engine power @3600 RPM		16.5 kW - 22.5 HP
Max engine speed		3400 RPM
Min engine speed		2000 RPM
Cooling system		Air
Lubrication system		Oil
Lubrication system capacity		1,9 lt - 0.42 UK gal

QUALITY OF AIR

Oil in air		1-3 PPM
Compressed air temperature		Ambient +20°C Ambient +36°F

ENVIRONMENTAL CONDITIONS

Max altitude		1800 m a.s.l.
Min working temperature		-10°C / 14°F
Max ambient temperature		+46°C / 115°F



VRK

FIBRA PLUS



260 kg
573 lbs

Separated second cooler and fan, for extreme cool air output

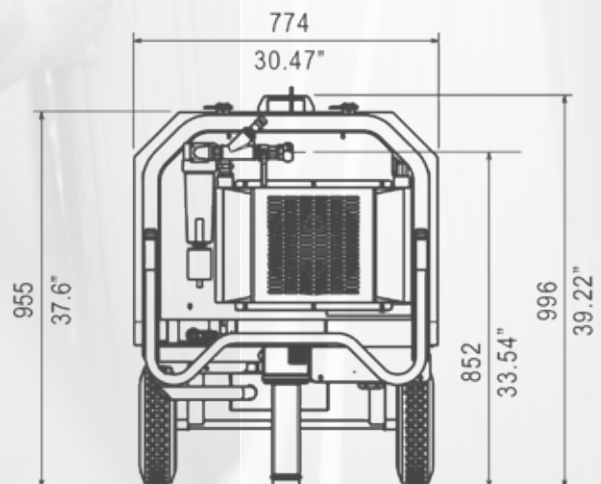
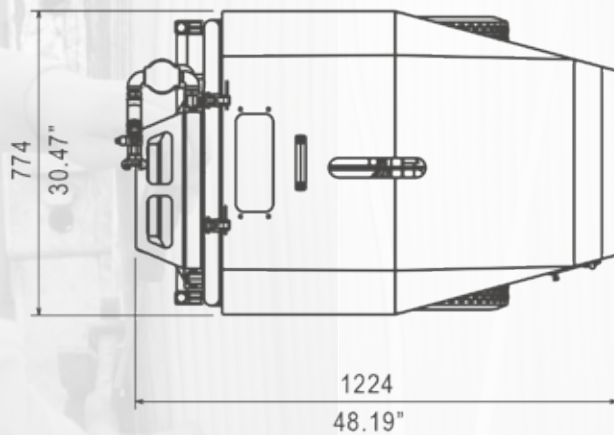
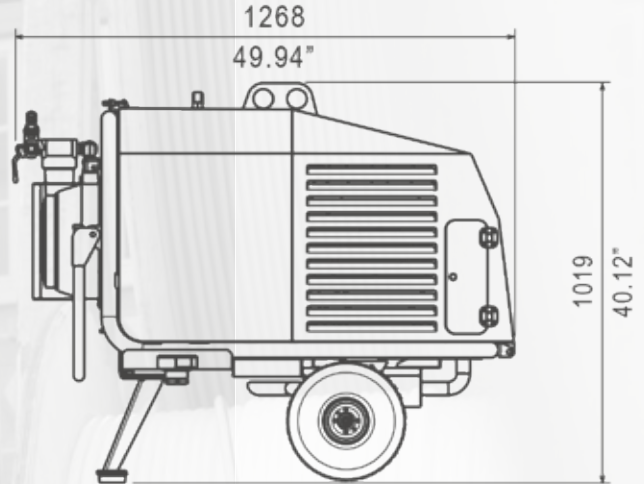
Condensates separator.

Compressed air temperature:

Ambient +0°C / +2°C // Ambient +0°F / +3,6°F

INTEGRATED COOLING and DRYING SYSTEMS

- › High performance asymmetric-profile airend with safety thermostatic arrest in case of overheat.
- › High efficiency trapezoidal belt-drive, over-dimensioned to ensure transmission with less maintenance.
- › Pneumatic control system, ROTAIR production, to automatically adjust engine revs, depending on the air to be delivered. This system is highly reliable and ensures fuel consumption savings.
- › Automatic depressurization at the end of the work cycle.
- › Separator tank with double air/oil separation-internal filter and external spin-on: oil carry-over ≤ 1 PPM.
- › Air/oil separator filter, highly oversized, to guarantee an excellent air/oil separation.
- › Compressor air filter and engine air filter are separated.
- › Single stage oversized air filter for compression circuit, to guarantee good filtering of the air intaken by airend.
- › Cooler dimensioned to ensure optimal compressor oil cooling in high ambient temperatures (max 45°C)



EXTRA COOL



COMPRESSOR

Max operating pressure	15 bar - 218 psi
Free Air Delivery	1000 l/min - 35 cfm
Minimum working pressure	5,5 bar - 80 psi
Drive system engine-arend	Belt-drive XPZ overdimensioned
Compressor cooling system	Air / Oil
Oil cooling capacity	5 lt - 1.33 UK gal
Outlet valves	1 x 3/4"
Noise level EECno 2000/14	≤ 97 LWA
Battery capacity	12V cc - 330A-45Ah (EN)
Fuel tank capacity	15 lt - 3,3 UK gal
Consumes (average engine man.data)	6,7 lt/h - 1,47 UK gal/h

PETROL ENGINE

Engine make	HONDA
Engine type	GX690
Engine system	4 strokes
Displacement	690 cc
N. cylinders	2
Aspiration	Natural
Max engine power @3600 RPM	16.5 kW - 22.5 HP
Max engine speed	3400 RPM
Min engine speed	2000 RPM
Cooling system	Air
Lubrication system	Oil
Lubrication system capacity	1,9 lt - 0.42 UK gal

QUALITY OF AIR

Oil in air	1-3 PPM
Compressed air temperature	Ambient +0°C / +2°C Ambient +0°F / +3,6°F

ENVIRONMENTAL CONDITIONS

Max altitude	1800 m a.s.l.
Min working temperature	-10°C / 14°F
Max ambient temperature	+46°C / 115°F

powerful › compact

PORTABLE COMPRESSORS FIBRA

QUALITY EXTRA COOL
COMPRESSED AIR
FOR FIBRE OPTIC
CABLE BLOWING

The machine conforms to the most stringent norms - CE Directive, EN safety and compatibility norms - and its design and manufacturing are conform to ROTAIR Quality System in the framework of **ROTAIR Total Quality Management.**

Machine is supplied with:

- Manual of use and maintenance, including diagrams and electric schemes
- Spare parts manual



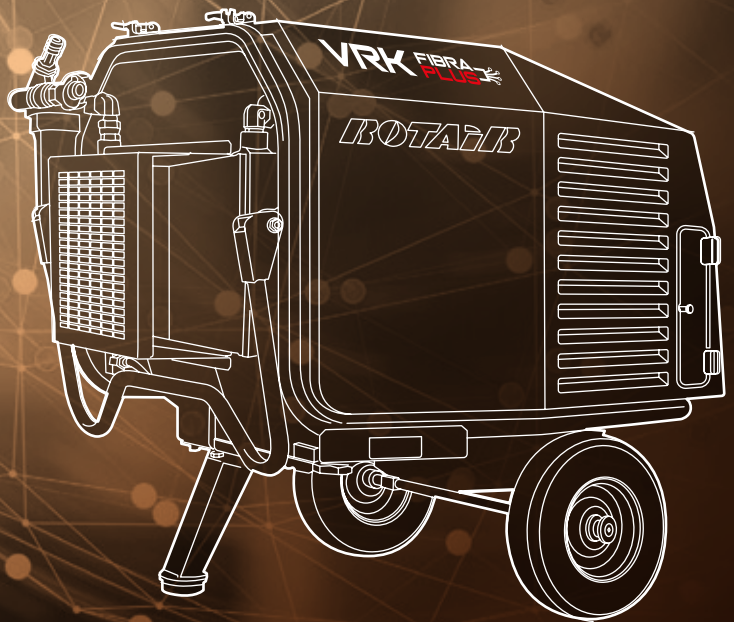
THE RESPECT OF ORDINARY
MAINTENANCE INTERVALS AND
THE USE OF GENUINE SPARE
PARTS ENSURE CONSTANT
AND OPTIMAL PERFORMANCES AND A
RELIABLE DURABILITY THROUGH TIME.

VRK

FIBRA \> FIBRA PLUS

SPECIAL
FIBRE
oo OPTIC

CONCEIVED FOR
FIBRE-OPTIC
CABLE LAYING



ROTAIR®

VIA BERNEZZO, 67
12023 ▶ CARAGLIO (CN) ▶ ITALY



Tel: +39 0171.619676
Fax: +39 0171.619677

>> www.rotairspa.com
info@rotairspa.com

Azienda certificata
ISO 9001:2015

