

TECHNICAL DATA

R30

R50

Engine	Gasoline 2,9 kW (4 hp)	Gasoline 4 kW (5,5 hp)
Start	Recoil rope start	Recoil rope start
Belt driven clutch	when control lever is released	Automatic disengagement when control lever is released
Gearbox	4 speed (2 forward+2 reverse)	4 speed (2 forward+2 reverse)
Mechanical type drive	With gears in oil bath	With gears in oil bath
Power take off	-	Independent at 2,100 rev/min
Steering	Steering unlocking and brakes in oil bath	Independently controlled steering unlocking and brakes
Minimum steering radius	700 mm 27,6 inches	700 mm 27,6 inches
Brakes	Automatic engagement	Expansion type with automatic engagement
Minimum distance from the ground	70 mm 2,7 inches	70 mm 2,7 inches
Crawler track: length/width	600/170 mm 23,6/6,7 inches	600/180 mm 23,6/7 inches
Track	620 mm 24,4 inches	620 mm 24,4 inches
Body	Expandable side boards	Expandable side boards/Dumper (R50 Dumper)
Loading capacity	270 kg 595 lbs	500 kg 1102 lbs
Tilting	Manual	Hydraulic for dumper / Manual for expandable side boards
Tilting angle	50° 119%	60° 173%
Weight	140 kg 309 lbs	215 kg 474 lbs
Maximum slopes with/without load	23° 42%	20°/40° 36%/84%

• Further information available on request. The manufacturer reserves the right to modify the technical features mentioned here without prior notice.



ROTAIR®

TECHNOLOGY AND ENGINEERING SOLUTIONS

MINIDUMPERS



rampicar®
ALL-TERRAIN TRACK MOUNTED | MULTIFUNCTION



RAMPICAR

R30

R50



ALL -TERRAIN TRACK MOUNTED MINIDUMPERS

Vital in the transportation and handling of materials even under tough ground conditions.
Mechanical transmission. **LIGHT SERIES**

A NEW WORKING CONCEPT!

ROTAIR®

TECHNOLOGY AND ENGINEERING SOLUTIONS
Via Bernezzo, 67 - 12023 Caraglio (Cn) ITALY
Tel: +39 0171.619676 / Fax: +39 0171.619677
www.rotairspa.com • info@rotairspa.com

ISO 9001

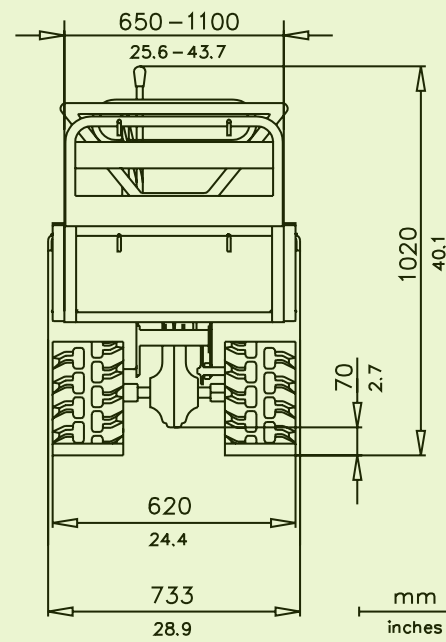
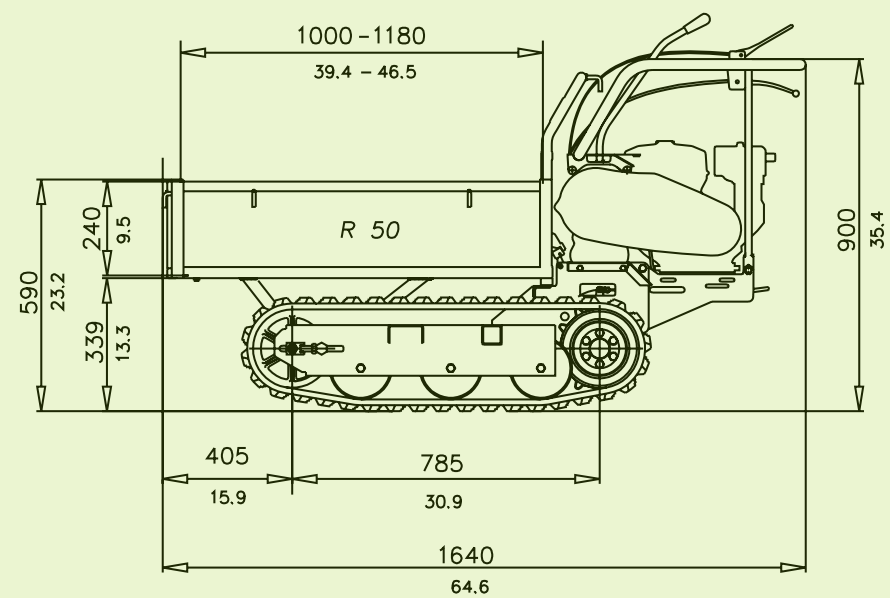
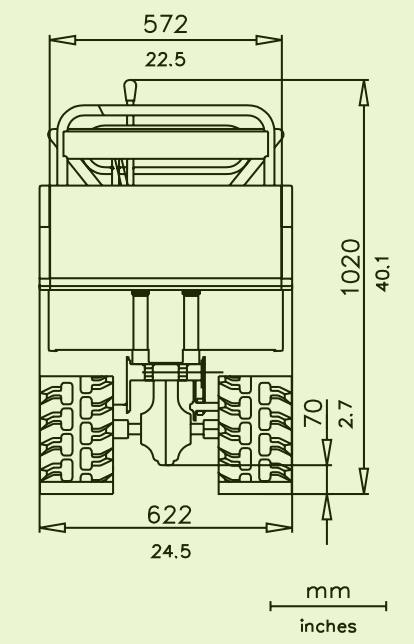
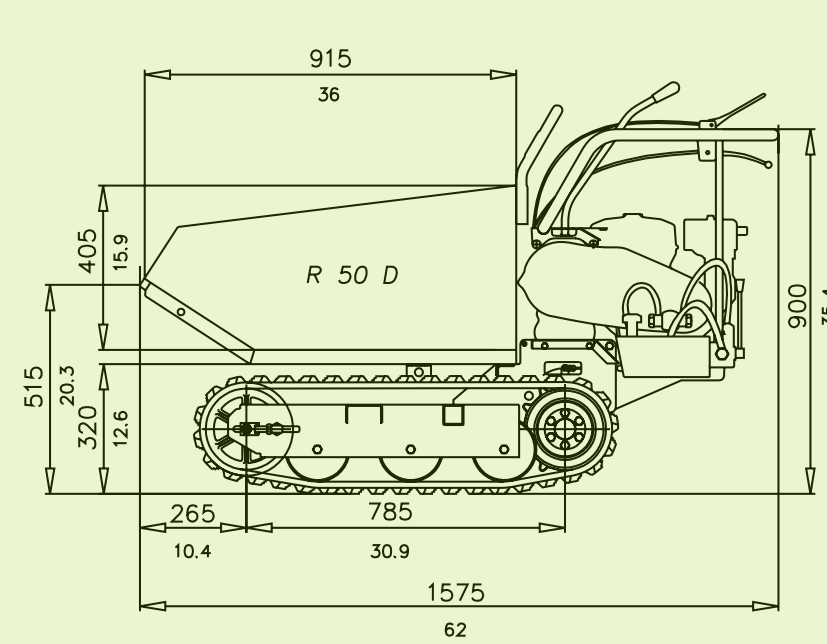
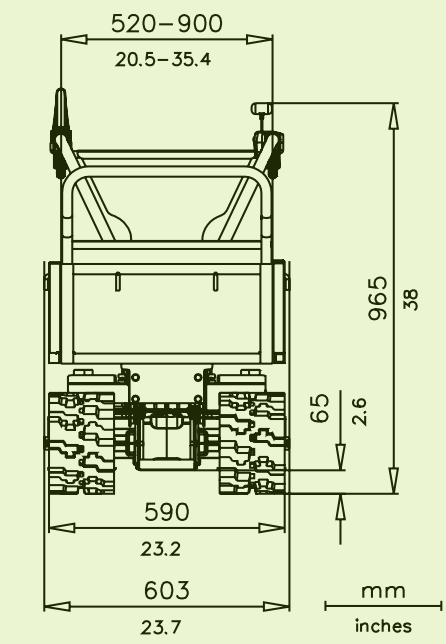
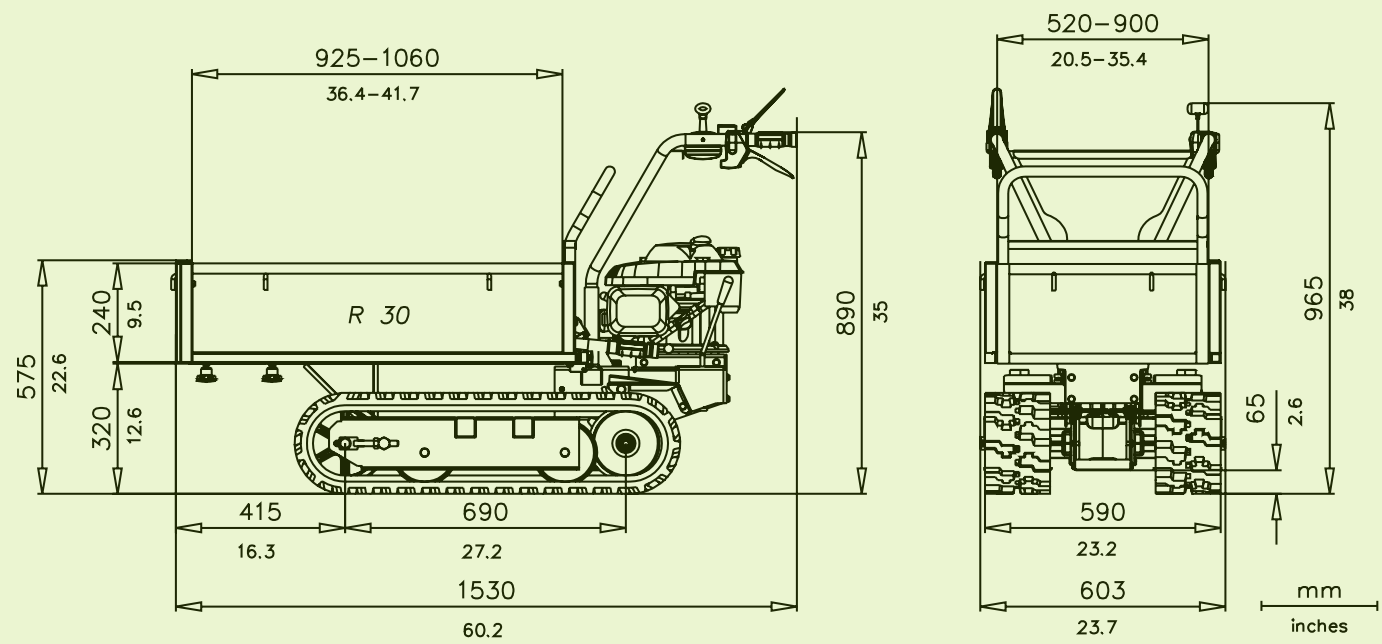
BUREAU VERITAS
Certification

Cert. n° 227392
Azienda certificata ISO 9001:2000



A NEW WORKING CONCEPT!

ALL-TERRAIN TRACK MOUNTED MINIDUMPERS
TRUE MULTIFUNCTION MACHINE



R30 / R50

THE CONSIDERABLE PRODUCT QUALITY AND STURDINESS, EXTRAORDINARY PERFORMANCE GUARANTEES, REDUCED OPERATING COSTS, ARE SOME OF THE FACTORS THAT TODAY MAKE THE R30 AND R50 RANGE OF MINI-DUMPERS THE IDEAL SOLUTION FOR MATERIAL TRANSPORTATION IN SEMI-PROFESSIONAL USES.

Thanks to their extreme practicality and handling ease, these mini-dumper can be used easily in areas that would otherwise be of difficult access for other vehicles, as well as offering totally secure operating conditions.

They are available in two different versions with differing capacities and fittings according to means of use. These mini-dumpers also boast exclusive mechanical transmission gear sets, which in the case of model R30 has two running speeds for forward running and two reverse speeds, while model R50 have no less than three forward running speeds and one reverse speed. They have a working load capacity of 270 kg in the case of R30. This model is therefore ideal for the transportation of a whole host of different types of materials, thanks to its manual tilting body, with expandable side loading platform which means that the load capacity can be easily adjusted.

While model R50 guarantees a working load capacity of 500 kg and features two loading bodies each featuring a hydraulic tilting element using a special piston.

So that there are two different versions proposed: one equipped with a dumper type loader body, which is ideal for the transportation of non-homogeneous materials, the other with a body fitted with an expandable and loading platform as those of model R30.

While model R50 is feature a mechanical pto which makes it possible to operate and use external appliances such as liquid sprayers for example.

THE IDEAL SOLUTION FOR PRIVATE AND SEMI-PROFESSIONAL USE: AGRICULTURE, COMMUNITY, MUNICIPAL AND LIGHT BUILDING OPERATIONS, OFFERING TOP CLASS PERFORMANCE AND RELIABILITY

